



MAX1284 Evaluation System

Evaluates: MAX1284

General Description

The MAX1284 evaluation system (EV system) is a complete data-acquisition system consisting of a MAX1284 evaluation kit (EV kit) and a Maxim 68HC16MODULE-DIP microcontroller (μ C) module. The MAX1284 is a high-speed, 12-bit data acquisition system. Windows 95/98[®] software provides a handy user interface to exercise the MAX1284's features.

Order the complete EV system (MAX1284EVC16) for comprehensive evaluation of the MAX1284 using a PC. You can order the EV kit (MAX1284EVKIT) if the 68HC16MODULE-DIP module has already been purchased with a previous Maxim EV system, or for custom use in other μ C-based systems.

EV System Component List

| PART | QTY | DESCRIPTION |
|------------------|-----|-----------------------|
| MAX1284EVKIT | 1 | MAX1284 EV kit |
| 68HC16MODULE-DIP | 1 | 68HC16 μ C module |

EV Kit Component List

| DESIGNATION | QTY | DESCRIPTION |
|-------------|-----|---------------------------------------|
| C1 | 1 | 0.01 μ F ceramic capacitor |
| C2, C3 | 2 | 0.1 μ F ceramic capacitors |
| C4 | 1 | 4.7 μ F tantalum capacitor |
| C5 | 1 | 10 μ F, 10V tantalum capacitor |
| J1 | 1 | 2x20 right-angle socket |
| JU1 | 1 | 2-pin header |
| JU2 | 1 | 3-pin header |
| R1 | 1 | 1k Ω \pm 5% resistor |
| TP1 | 1 | 6-pin header |
| U1 | 1 | MAX1284BCSA |
| None | 1 | MAX1284 EV kit PC board |
| None | 1 | 3-1/2in software disk, MAX1284 EV kit |
| None | 1 | MAX1284 EV kit data sheet |
| None | 1 | MAX1284 data sheet |

Windows 95/98 is a registered trademark of Microsoft Corp.

Features

- ◆ Proven PC Board Layout
- ◆ Convenient On-Board Test Points
- ◆ Data-Logging Software
- ◆ Fully Assembled and Tested

Ordering Information

| PART | TEMP. RANGE | INTERFACE TYPE |
|--------------|--------------|------------------|
| MAX1284EVKIT | 0°C to +70°C | User supplied |
| MAX1284EVC16 | 0°C to +70°C | Windows software |

Note: The MAX1284 software is designed for use with the complete MAX1284EVC16 EV system (includes 68HC16MODULE-DIP module together with MAX1284EVKIT). If the MAX1284 evaluation software will not be used, the MAX1284EVKIT board can be purchased by itself, without the μ C.

EV Kit Component List

| FILE | DESCRIPTION |
|-------------|--|
| INSTALL.EXE | Installs the EV kit files on your computer |
| MAX1284.EXE | Application program |
| KIT1284.C16 | Software loaded into 68HC16 μ C |

Recommended Equipment

Before you begin, you will need the following equipment:

- Maxim MAX1284EVC16 (contains MAX1284EVKIT board and 68HC16MODULE-DIP)
- A small DC power supply, such as a 12VDC 0.25A plug-in transformer or a 9V battery
- An IBM PC-compatible computer running Windows 95/98
- A spare serial communications port, preferably a 9-pin plug
- A serial cable to connect the computer's serial port to the 68HC16MODULE-DIP



MAX1284 Evaluation System

Quick Start

- 1) Carefully connect the boards by aligning the 40-pin header of the MAX1284 EV kit with the 40-pin connector of the 68HC16MODULE-DIP module, both boards component-side up. Gently press them together. The two boards should be flush against one another.
- 2) Ensure that JU1 is open and JU2 is in the 1-2 position.
- 3) Connect a +7VDC to +20VDC power source to the μ C module at the terminal block located next to the on/off switch, along the top edge of the μ C module. Observe the polarity marked on the board.
- 4) Connect a cable from the computer's serial port to the μ C module. If using a 9-pin serial port, use a straight-through, 9-pin female-to-male cable. If the only available serial port uses a 25-pin connector, a standard 25-pin-to-9-pin adapter will be required. The EV kit software checks the modem status lines (CTS, DSR, DCD) to confirm that the correct port has been selected.
- 5) Install the MAX1284 EV kit software on your computer by running the INSTALL.EXE program on the floppy disk. The program files are copied and icons are created for them in the Windows Start menu.
- 6) Start the MAX1284 program by opening its icon in the Start menu.
- 7) The program will prompt you to connect the μ C module and turn its power on. Slide SW1 to the ON position. Select the correct serial port and press OK. The program will automatically download KIT1284.C16 to the module.
- 8) Apply an input signal between AIN and GND. Observe the readout on the screen.

Detailed Description

MAX1284 Stand-Alone EV Kit

The MAX1284EVKIT provides a proven PC board layout to evaluate the MAX1284. It must be interfaced to appropriate timing signals for proper operation. Connect +5V to VDD, and connect the ground return to GND (Figure 1). Refer to the MAX1284 data sheet for timing requirements.

MAX1284 EV System

The MAX1284EVC16 EV system operates from a user-supplied +7VDC to +20VDC power supply. Windows 95/98 software running on an IBM PC interfaces to the EV system board through the computer's serial communications port. See the *Quick Start* section for setup and operating instructions.

Software Description

The evaluation software's main window controls the serial-clock speed and sample rate. It displays the voltage and output code as well as some statistics of the input signal. A separate graph window shows the data changing in real time. The update rate is limited to about 10 samples per second, due to COM port bandwidth limitations.

Statistics

The **Minimum** and **Maximum** fields show the highest and lowest readings acquired. The **Average** field shows a running mean based on the equation $a_i = (k)(x_i) + (1 - k)(a_i - 1)$. The **Clear** button resets the statistics. To remove offset errors, first apply 0V to the active input channel, clear statistics, acquire some samples, and then check **Tare**. This average offset voltage will now be subtracted from all subsequent measurements.

Sampling

Choose the desired sampling rate (QSPI™ Clock), sampling size (**Sample!** menu item), and press **Begin Sampling!** (in **Sample!** pop-up window). Sample size is restricted to a power of 2 to permit FFT processing once the data is saved to a file. After the samples have been collected, the data is automatically uploaded to the host and graphed. Once displayed, the data can be saved optionally to a file.

Saving Graphs to Disk

Data in the real-time graph and in sampled data graphs may be saved to a file. Only the raw output codes are saved, but voltages may be inferred, based on the reference voltage and the maximum code value.

Evaluating Shutdown

The evaluation software configures the 68HC16's QSPI submodule to continuously read data from the MAX1284 into the 68HC16. The sample rate is controlled by the QSPI clock. To evaluate power-saving modes, these automatic updates must be stopped. First, set the QSPI clock control to **STOP**. This reconfigures the 68HC16's QSPI submodule to stop driving the serial clock. Second, in the evaluation software's main window, uncheck the "Read Every...msec" checkbox. If evaluating the hardware shutdown, move jumper JU2 to the 2-3 position.

Reference Voltage

The evaluation software assumes a 2.5V reference voltage, unless otherwise specified. Refer to the MAX1284 data sheet for more information. To override this value, type the new reference voltage into the **Vref** edit box and press the **Set Vref** button.

QSPI is a trademark of Motorola, Inc.

MAX1284 Evaluation System

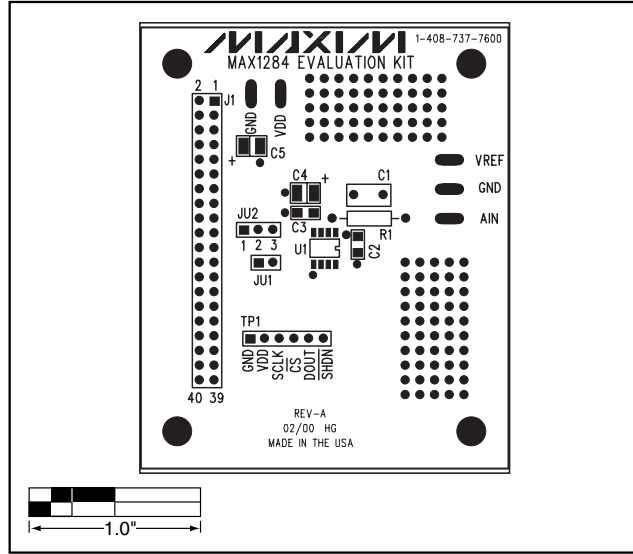


Figure 2. MAX1284 EV Kit Component Placement Guide—Component Side

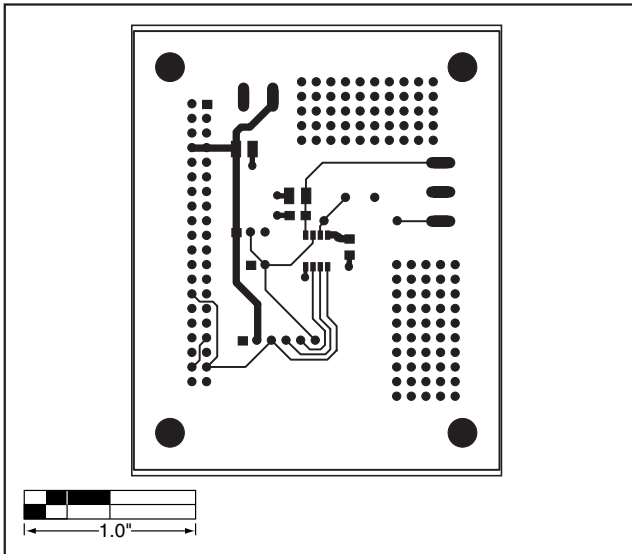


Figure 3. MAX1284 EV Kit PC Board Layout—Component Side

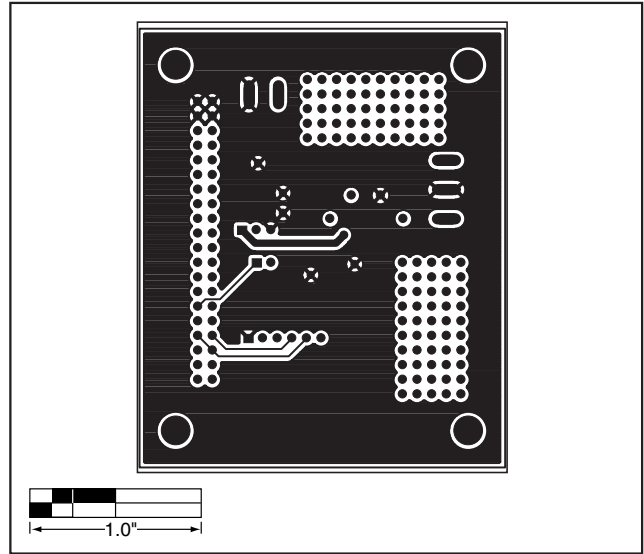


Figure 4. MAX1284 EV Kit PC Board Layout—Solder Side



68HC16 Module

68HC16 Module

68HC16 Module Component List

| DESIGNATION | QTY | DESCRIPTION |
|-------------|-----|--|
| C1, C2, C3 | 3 | 1 μ F ceramic capacitors |
| C4, C5 | 2 | 22 μ F, 25V radial-lead electrolytic capacitors |
| C6, C7 | 2 | 22pF capacitors |
| C8 | 1 | 0.01 μ F capacitor |
| C9 | 0 | Reference designator, not used |
| C10-C14 | 5 | 0.1 μ F capacitors |
| D1 | 1 | 1N4001 diode |
| J1 | 1 | 40-pin right-angle male connector |
| J2 | 1 | 2-circuit terminal block |
| J3 | 1 | Right-angle printed circuit board mount, DB9 female socket |
| J4 | 0 | Open |
| JU1 | 0 | Open |
| JU2 | 0 | Reference designator, not used |
| JU3 | 0 | Open |
| JU4 | 0 | Open |
| JU5 | 0 | Open |
| L1 | 0 | Open |
| L2 | 0 | Open |
| LED1 | 1 | Light-emitting diode |
| R1 | 1 | 10M Ω , 5% resistor |

| DESIGNATION | QTY | DESCRIPTION |
|-------------|-----|--|
| R2 | 1 | 330k Ω , 5% resistor |
| R3, R4 | 2 | 10k Ω , 5% resistors |
| R5 | 1 | 470 Ω , 5% resistor |
| R6 | 1 | 10k Ω SIP resistor |
| SW1 | 1 | Slide switch |
| SW2 | 1 | Momentary pushbutton switch |
| U1 | 1 | 68HC16 μ C MC68HC16Z1CFC16 (132-pin plastic quad flat pack) |
| U2 | 1 | Maxim MAX233CPP |
| U3 | 1 | 27C256 EPROM containing monitor program |
| U4 | 1 | 7805 regulator, TO-220 size |
| U5 | 1 | 62256 (32K x 8) static RAM |
| U6 | 1 | 74HCT245 bidirectional buffer |
| U7 | 1 | Maxim MAX707CPA |
| Y1 | 1 | 32.768kHz watch crystal |
| None | 4 | Rubber feet |
| None | 1 | 28-pin socket for U3 |
| None | 1 | 20-pin socket for U6 |
| None | 1 | 3" x 5" printed circuit board |
| None | 1 | Heatsink for U4, thermalloy # 6078 |

68HC16 Module General Description

The 68HC16 module is an assembled and tested printed-circuit board intended for use with Maxim's high-speed serial-interface evaluation kits (EV kits). The module uses an inexpensive 8-bit implementation of Motorola's MC68HC16Z1 microcontroller (μ C) to collect data samples at high speed using the QSPI™ interface. It requires an IBM-compatible personal computer and an external DC power supply, typically 12V DC or as specified in EV kit manual.

Maxim's 68HC16 module is provided to allow customers to evaluate selected Maxim products. It is not intended to be used as a microprocessor development platform, and such use is not supported by Maxim.

QSPI is a trademark of Motorola Corp.

68HC16 Module Detailed Description

Power Input Connector J2

The 68HC16 module draws its power from a user-supplied power source connected to terminal block J2. Be sure to note the positive and negative markings on the board. A three-terminal 5V regulator allows input voltages between 8V and an absolute maximum of 20V. The 68HC16 module typically requires 200mA of input current.

68HC16 Microcontroller

U1 is Motorola's 68HC16Z1 μ C. Contact Motorola for μ C information, development, and support. Maxim EV kits use the high-speed queued serial peripheral interface (QSPI) and the internal chip-select generation.

A MAX707 on the module monitors the 5V logic supply, generates the power-on reset, and produces a reset pulse whenever the reset button is pressed.



Maxim Integrated Products 1

For free samples and the latest literature, visit www.maxim-ic.com or phone 1-800-998-8800. For small orders, phone 1-800-835-8769.

68HC16 Module

The 68HC16 uses a phase-locked loop (PLL) to set its bus speed. Crystal Y1 is a 32.768kHz frequency reference. The internal oscillator runs 256 times faster than the external crystal. When the 68HC16 is reset, it waits for the PLL to lock before it executes any software. After the PLL locks onto the reference frequency, the software doubles the clock speed by writing to the clock synthesizer control register, selecting a bus speed of 16.78MHz.

U5, the user RAM area, is a 32kbyte CMOS static RAM.

The 74HCT245 octal buffer lets the 68HC16 module access an 8-bit port on the 40-pin interface connector. This memory-mapped port consists of separate read and write strobes, four chip selects, four address LSBs, and eight data bits.

Serial Communications

J3 is an RS-232 serial port, designed to be compatible with the IBM PC 9-pin serial port. Use a straight-through DB9 male-to-female cable to connect J3 to this port. If the only available serial port has a 25-pin connector, you may use a standard 25-pin to 9-pin adapter. Table 1 shows the pinout of J3.

The MAX233 is an RS-232 interface voltage level shifter with two transmitters and two receivers. It includes a built-in charge pump with internal capacitors that generates the output voltages necessary to drive RS-232 lines.

40-Pin Data Connector J1

The 20 x 2 pin header connects the 68HC16 module to a Maxim EV kit. Table 2 lists the function of each pin. Note that 68HC16 object code is not compatible with 68HC11 object code. Use the 68HC16 module only with those modules that are designed to support it, and only download code that is targeted for the 68HC16 module. Downloading incorrect object code into the 68HC16 module will have unpredictable results.

Address Ranges

The 68HC16 μ C generates various enable signals for different address ranges. The ROM and RAM enable signals are fed directly to the respective chips. Several additional signals (J1.11–J1.14) are available on the data connector to be used by Maxim EV kits. Table 3 outlines the address ranges for each of the elements found on the 68HC16 module, and Table 4 is a truth table that describes the logic for each of the 68HC16's chip-select outputs. Because the addresses are not completely decoded, the boot ROM and user RAM have shadows.

Table 1. Serial Communications Port J3

| PIN | NAME | FUNCTION |
|-----|------|--|
| 1 | DCD | Handshake; hard-wired to DTR and DSR |
| 2 | RXD | RS-232-compatible data output from 68HC16 module |
| 3 | TXD | RS-232-compatible data input to 68HC16 module |
| 4 | DTR | Handshake; hard-wired to DCD and DSR |
| 5 | GND | Signal ground connection |
| 6 | DSR | Handshake; hard-wired to DCD and DTR |
| 7 | RTS | Handshake; hard-wired to CTS |
| 8 | CTS | Handshake; hard-wired to RTS |
| 9 | None | Unused |

Table 2. 40-Pin Data-Connector Signals

| PIN | NAME | FUNCTION |
|-------|---------|------------------------------|
| 1–4 | GND | Ground |
| 5, 6 | VPREREG | Unregulated input voltage |
| 7, 8 | VCC | +5V from on-board regulator |
| 9 | RD | Read strobe |
| 10 | WR | Write strobe |
| 11 | 7E000 | Chip select for 7E000–7E7FF |
| 12 | 7E800 | Chip select for 7E800–7EFFF |
| 13 | 7F000 | Chip select for 7F000–7F7FF |
| 14 | 7F800 | Chip select for 7F800–7FFFF |
| 15 | A00 | Address bit 0 (LSB) |
| 16 | A01 | Address bit 1 |
| 17 | A02 | Address bit 2 |
| 18 | A03 | Address bit 3 |
| 19 | EXTD0 | Buffered data bus 0 (LSB) |
| 20–26 | EXTD1–7 | Buffered data bus bits 1–7 |
| 27 | IC1 | General I/O port bit 0 (LSB) |
| 28 | IC2 | General I/O port bit 1 |
| 29 | IC3 | General I/O port bit 2 |
| 30 | OC1 | General I/O port bit 3 |
| 31 | OC2 | General I/O port bit 4 |
| 32 | OC3 | General I/O port bit 5 |
| 33 | OC4 | General I/O port bit 6 |
| 34 | IC4 | General I/O port bit 7 |
| 35 | MISO | QSPI master-in, slave-out |
| 36 | MOSI | QSPI master-out, slave-in |
| 37 | SCK | QSPI serial clock |
| 38 | PCS0/SS | QSPI chip-select output |
| 39 | CLKOUT | System clock output |
| 40 | PWMA | Pulse-width-modulator output |

68HC16 Module

Table 3. 68HC16 Module Memory Map (all address values are in 20-bit hex)

| PIN | FUNCTION |
|-------------|---|
| 00000–07FFF | Boot ROM (U3, strobed by CSBOOT) |
| 08000–0FFFF | Shadow of boot ROM |
| 10000–17FFF | User RAM (U5, strobed by CS0 and CS2) |
| 18000–1FFFF | Shadow of user RAM |
| 20000–203FF | Internal standby RAM; 1kbyte |
| 20400–7DFFF | Unused |
| 7E000–7E7FF | External chip select (J1 pin 11) (CS7) |
| 7E800–7EFFF | External chip select (J1 pin 12) (CS8) |
| 7F000–7F7FF | External chip select (J1 pin 13) (CS9) |
| 7F800–7FFFF | External chip select (J1 pin 14) (CS10) |
| 80000–F7FFF | Not accessed by the 68HC16 |
| F8000–FF6FF | Unused |
| FF700–FF73F | 68HC16's built-in ADC (not used) |
| FF740–FF8FF | Unused |
| FF900–FF93F | General-purpose timer module (GPT) |
| FF940–FF9FF | Unused |
| FFA00–FFA7F | System integration module (SIM) |
| FFA80–FFAFF | Unused |
| FFB00–FFB07 | Internal standby RAM (SRAM) control registers |
| FFB08–FFBFF | Unused |
| FFC00–FFDFF | Queued serial module (QSM) |
| FFE00–FFFFF | Unused |

Boot ROM

The boot ROM, U3, is configured as an 8-bit memory device. Resistor R4 pulls data bit 0 low during system reset, forcing the μ C to fetch instructions using only the upper eight data bits. The boot ROM checks the system and waits for commands from the host. Refer to the EV kit manual for specific start-up procedures.

Software

All software is supplied on a disk with the EV kit. Instructions for operating the software are included in the EV kit manual. Refer to the EV kit manual for more information.

68HC16 Module Self Check

To test the 68HC16 module's integrity, connect the power supply to the power terminals (J2). Do not connect anything to J1 or J3. Slide the power switch SW1 to the "ON" position. The LED will light up, and will flash within 5 seconds.

If the LED flashes with a 50%-on/50%-off duty cycle, then it passed its self check. Note that this test does not exercise the RS-232 port or the EV kit 40-pin interface, but it does confirm that the power supply, microprocessor, ROM, and RAM passed the self test.

If the LED flashes with a 10%-on/90%-off duty cycle, then it failed its self check. Most likely, the RAM chip (U5) is bad.

If the LED remains on and does not flash, then the problem is either U3 (the EPROM), U1 (the microprocessor), U4 (the regulator), the MAX707 reset generator, or the power supply. Use a voltmeter to verify that the power supplies are good. Check the power-supply input and the +5V output from the regulator. Use an oscilloscope to see if the 32.768kHz reference oscillator is running.

68HC16 Module

Table 4. 68HC16 Chip-Select Outputs Truth Table

| ADDRESS RANGE | CSBOOT | CS0 | CS1 | CS2 | CS5 | CS6 | CS7 | CS8 | CS9 | CS10 |
|---------------|--------|-----|-----|-----|-----|-----|-----|-----|-----|------|
| 0xxxx read | L | H | H | H | H | H | H | H | H | H |
| 1xxxx read | H | H | H | L | H | H | H | H | H | H |
| 1xxxx write | H | L | H | H | H | H | H | H | H | H |
| 7E0xx read | H | H | L | H | H | L | L | H | H | H |
| 7E0xx write | H | H | H | H | L | L | L | H | H | H |
| 7E8xx read | H | H | L | H | H | L | H | L | H | H |
| 7E8xx write | H | H | H | H | L | L | H | L | H | H |
| 7F0xx read | H | H | L | H | H | L | H | H | L | H |
| 7F0xx write | H | H | H | H | L | L | H | H | L | H |
| 7F8xx read | H | H | L | H | H | L | H | H | H | L |
| 7F8xx write | H | H | H | H | L | L | H | H | H | L |

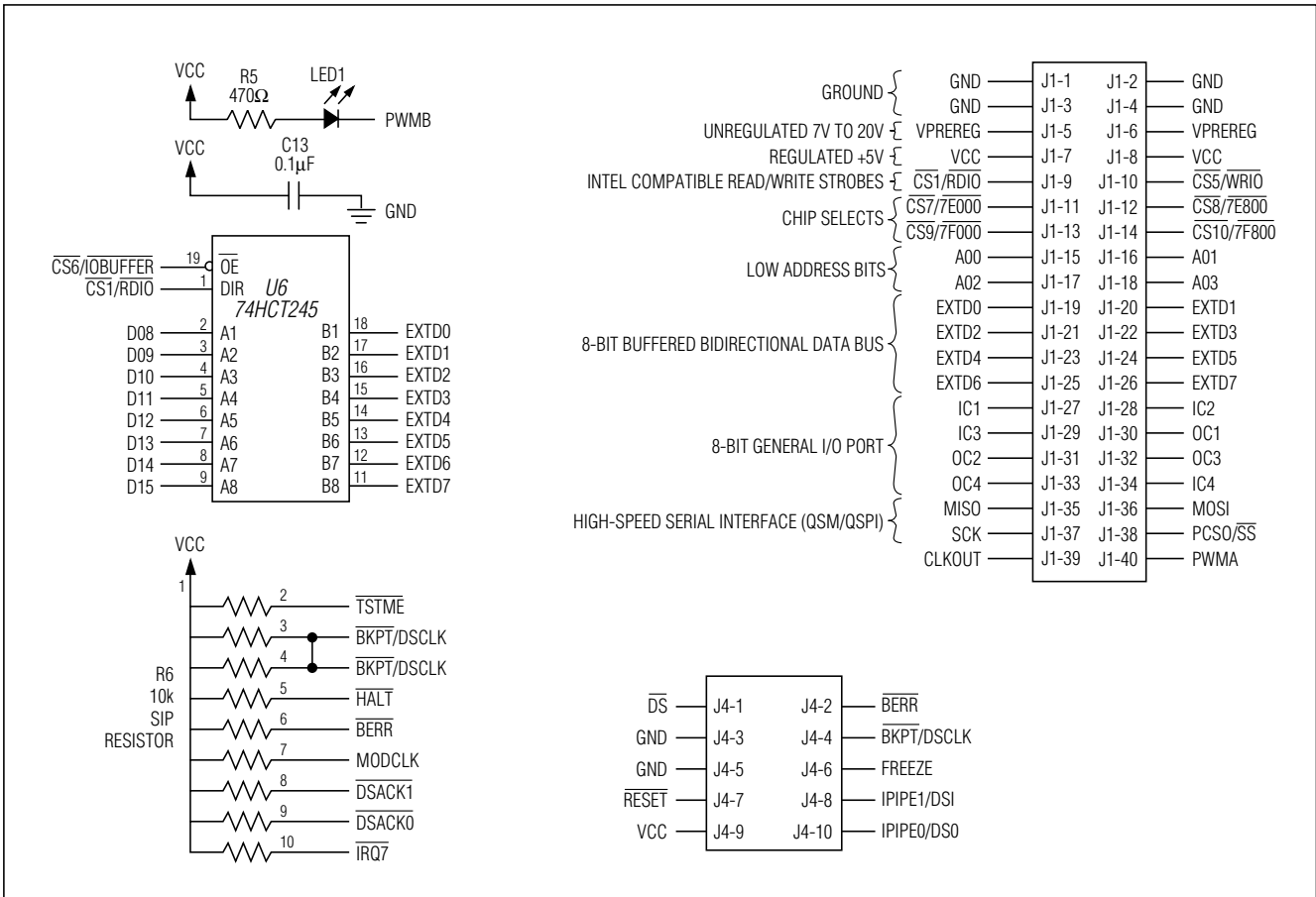


Figure 1. 68HC16 Module Schematic

68HC16 Module

68HC16 Module

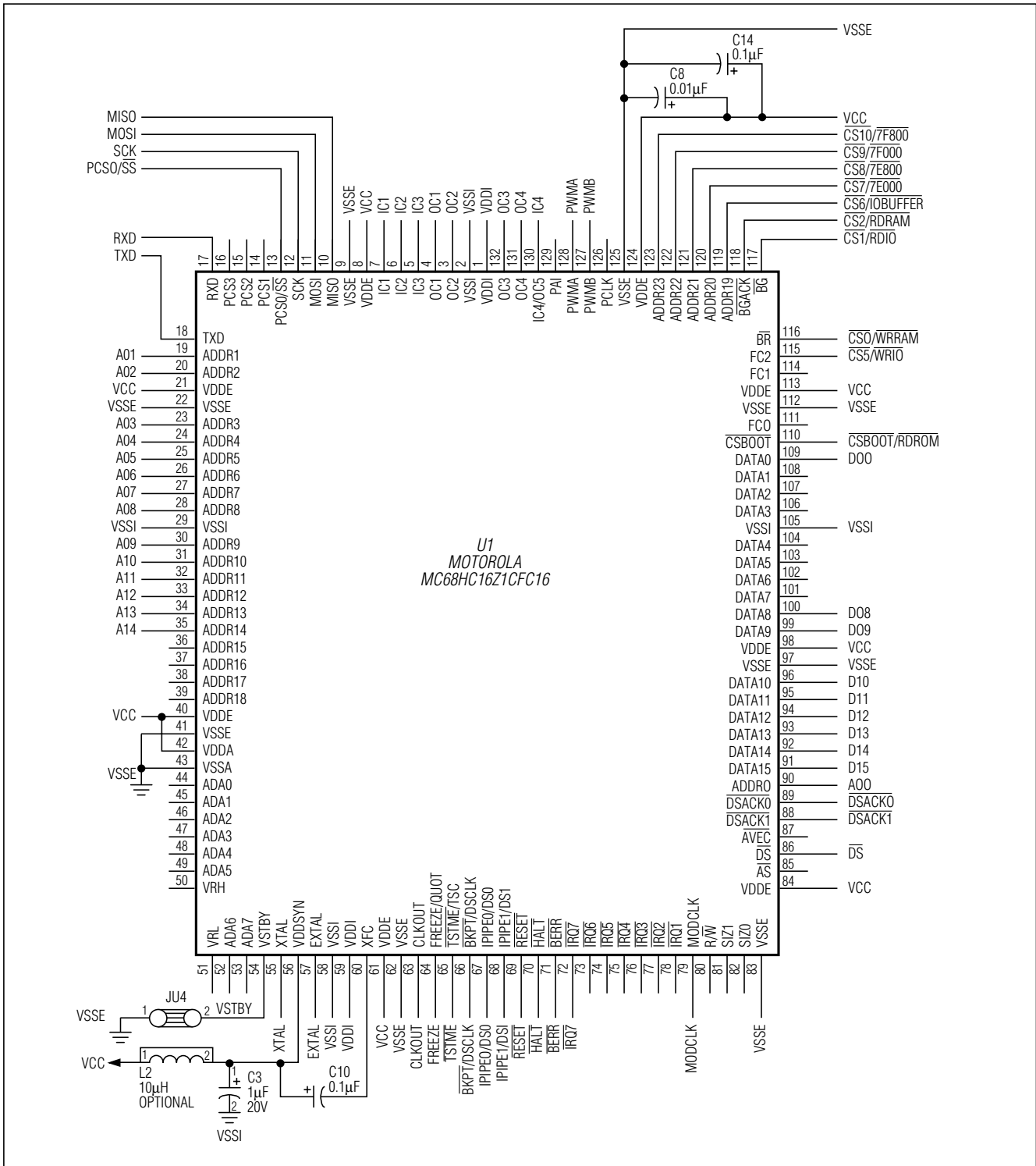


Figure 1. 68HC16 Module Schematic (continued)

68HC16 Module

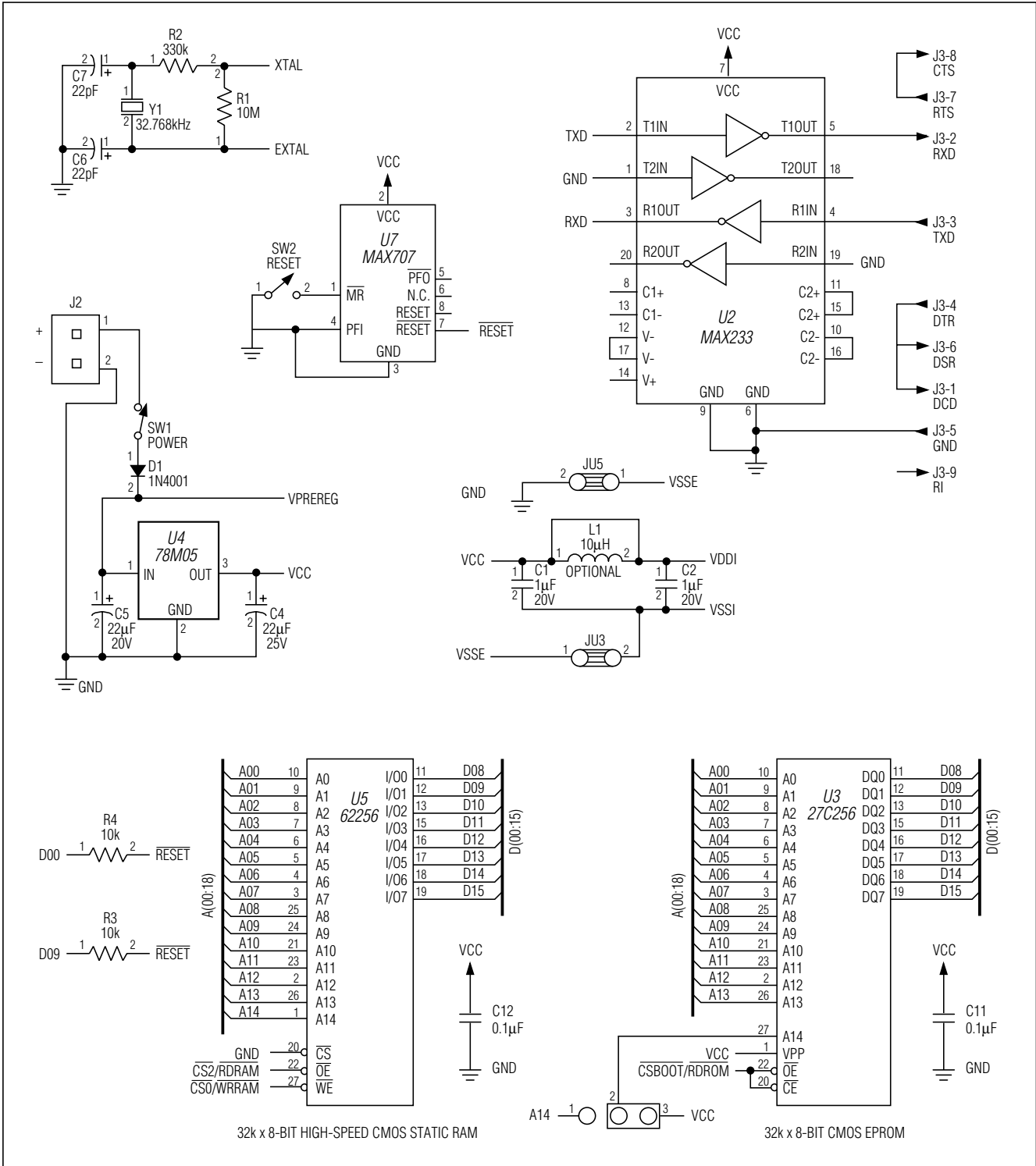


Figure 1. 68HC16 Module Schematic (continued)

68HC16 Module

68HC16 Module

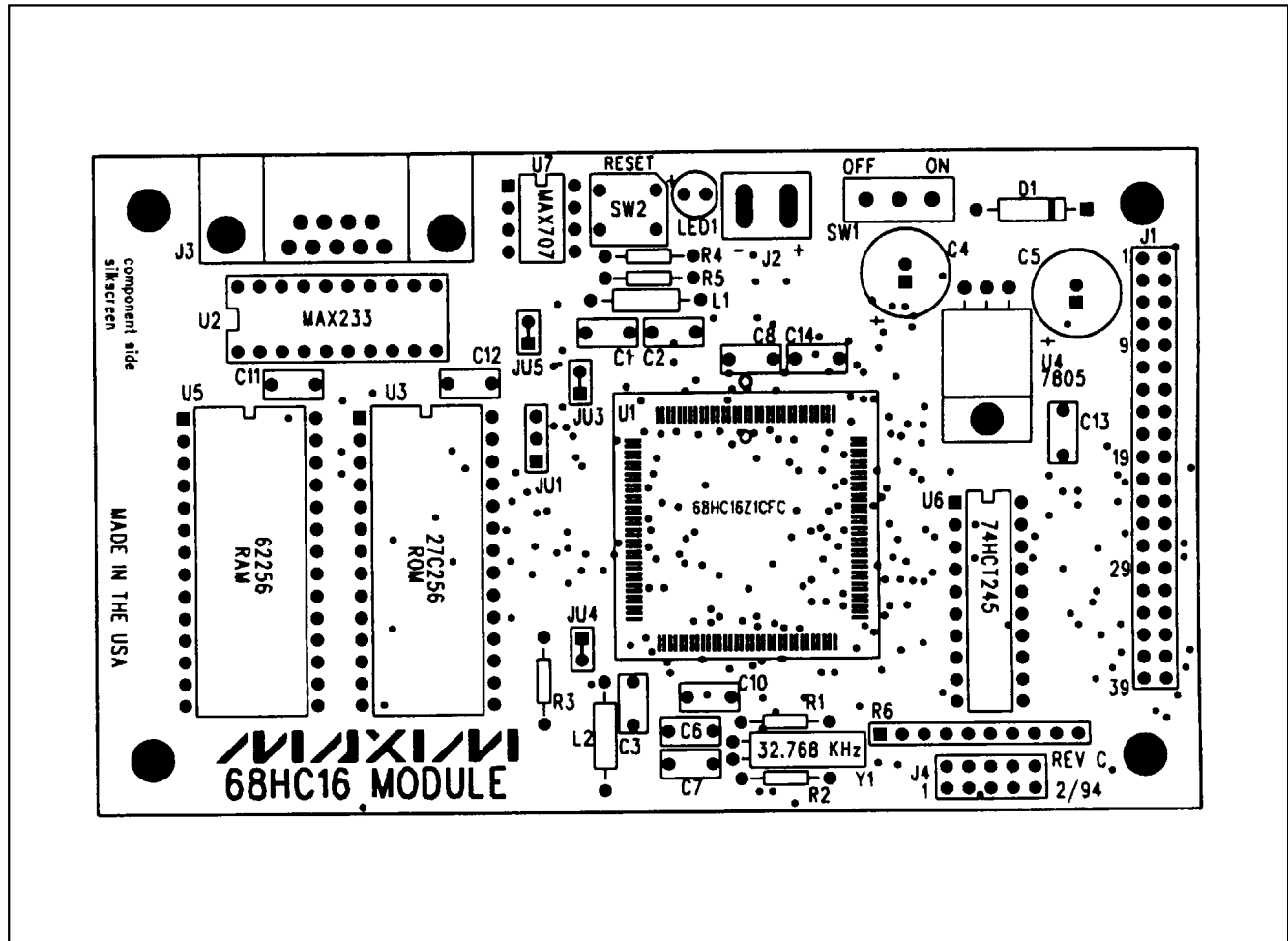


Figure 2. 68HC16 Module Component Placement Guide

68HC16 Module

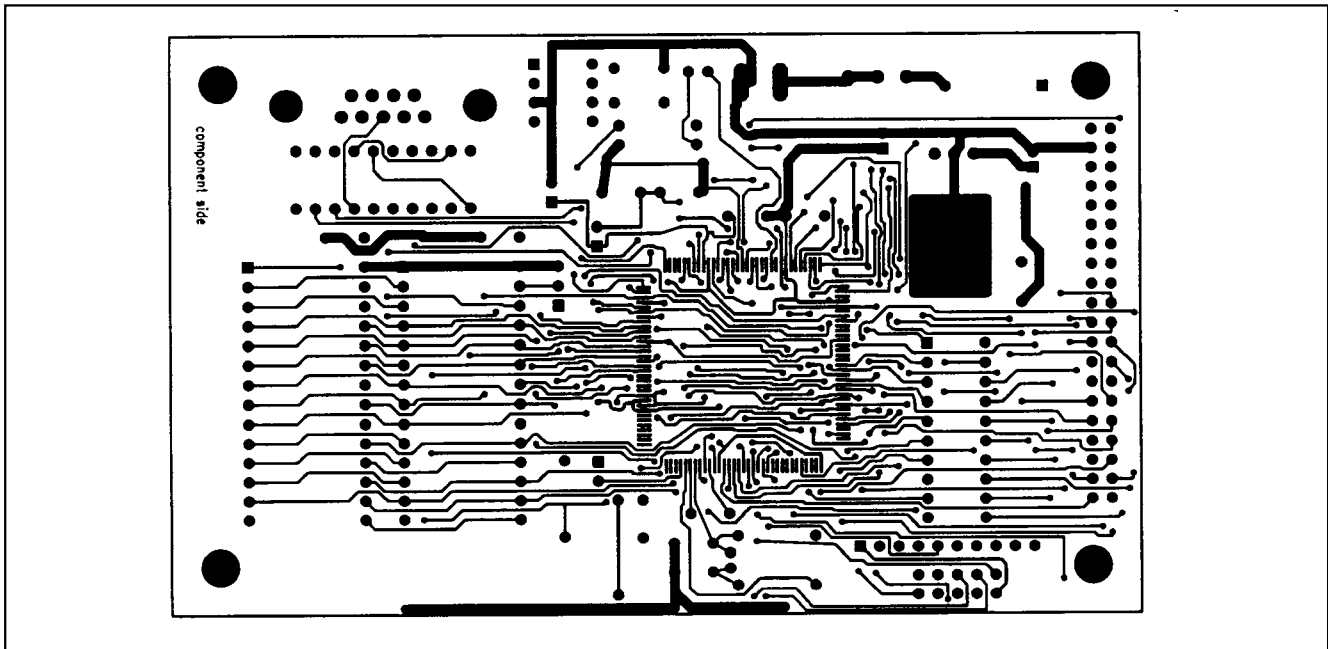


Figure 3. 68HC16 Module PC Board Layout—Component Side

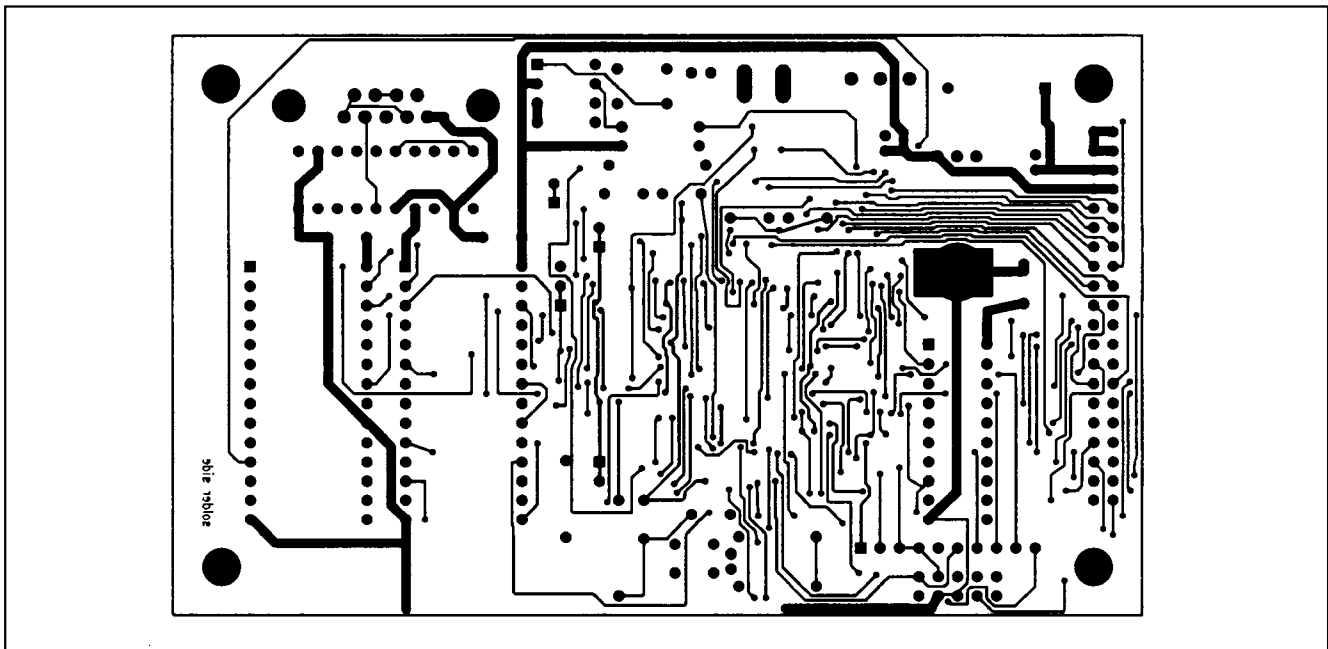


Figure 4. 68HC16 Module PC Board Layout—Solder Side

Maxim cannot assume responsibility for use of any circuitry other than circuitry entirely embodied in a Maxim product. No circuit patent licenses are implied. Maxim reserves the right to change the circuitry and specifications without notice at any time.

8 **Maxim Integrated Products, 120 San Gabriel Drive, Sunnyvale, CA 94086 408-737-7600**